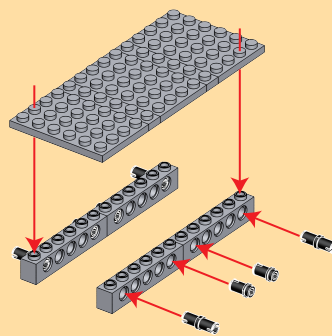
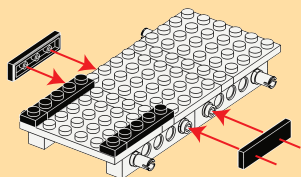




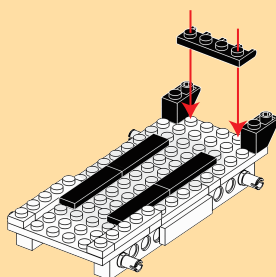
- 1
- | | | | | |
|----|----|----|----|----|
| | | | | |
| x3 | x4 | x2 | x4 | x4 |



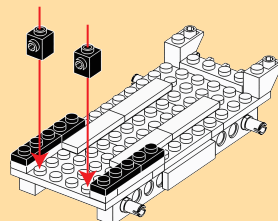
- 2
- | | | |
|----|----|----|
| | | |
| x2 | x2 | x2 |



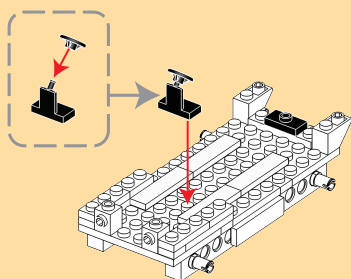
- 3
- | | | |
|----|----|----|
| | | |
| x1 | x4 | x2 |



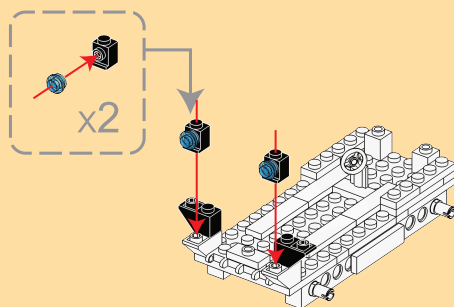
- 4
- | | | |
|----|----|----|
| | | |
| x2 | x2 | x2 |



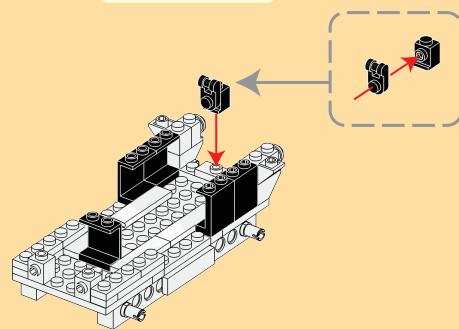
- 5
- | | | |
|----|----|----|
| | | |
| x1 | x1 | x1 |



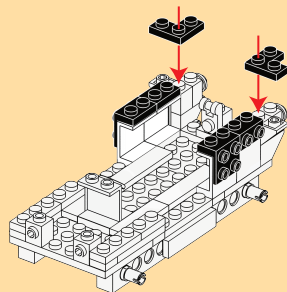
- 6
- | | | |
|----|----|----|
| | | |
| x2 | x2 | x2 |



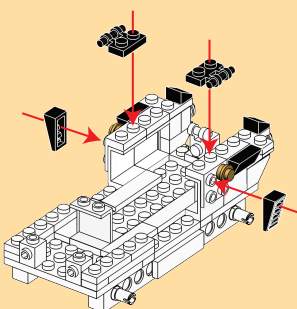
- 7
- | | | |
|----|----|----|
| | | |
| x5 | x1 | x1 |



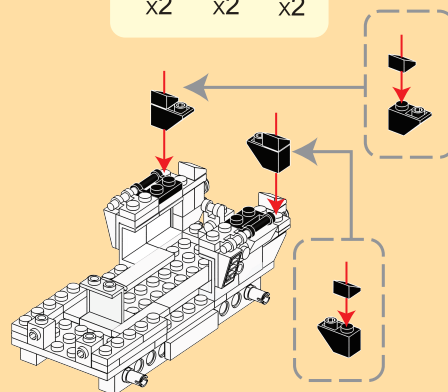
- 8
- | | | |
|----|----|----|
| | | |
| x2 | x2 | x2 |



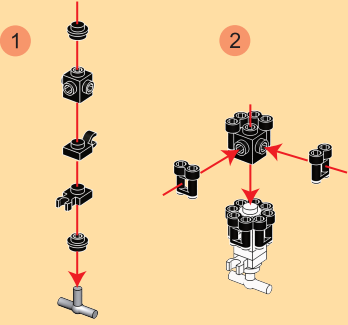
- 9
- | | | | | |
|----|----|----|----|----|
| | | | | |
| x2 | x2 | x2 | x2 | x2 |



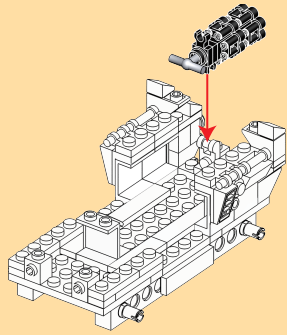
- 10
- | | | |
|----|----|----|
| | | |
| x2 | x2 | x2 |



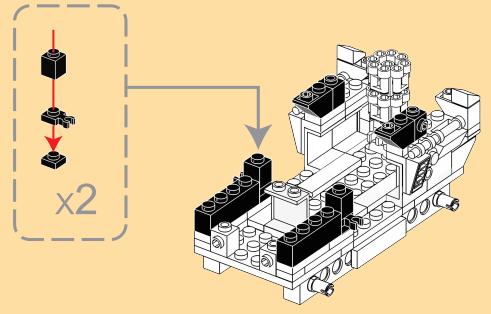
- 11**
 x2 x1 x1 x1 x8 x1 x1



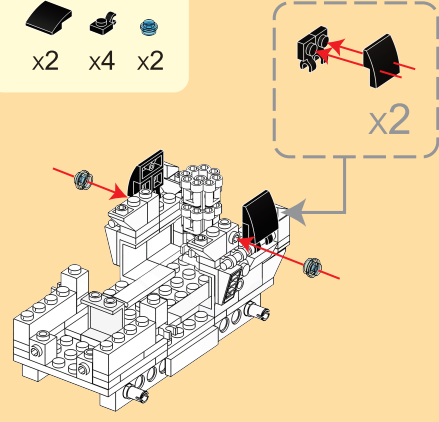
- 12**
 10 + 11



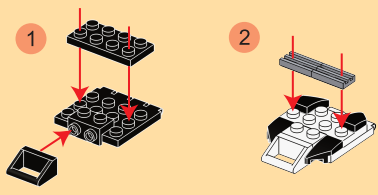
- 13**
 x2 x2 x2 x2 x2 x2



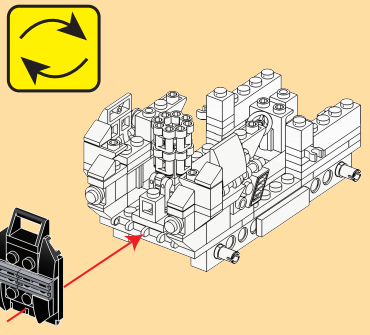
- 14**
 x2 x4 x2



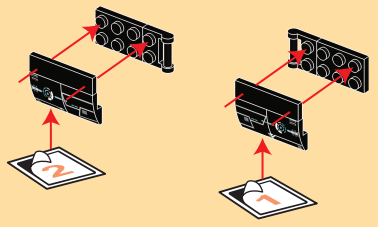
- 15**
 x1 x1 x1 x1 x2 x2 x2



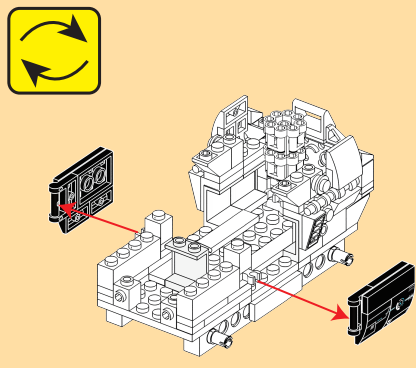
- 16**
 14 + 15



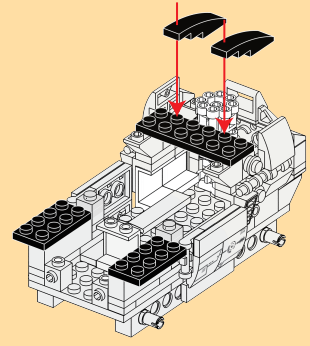
- 17** 1x4
 x2 x2 x4 x2



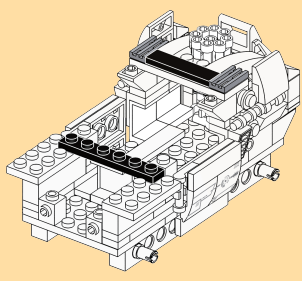
- 18**
 16 + 17



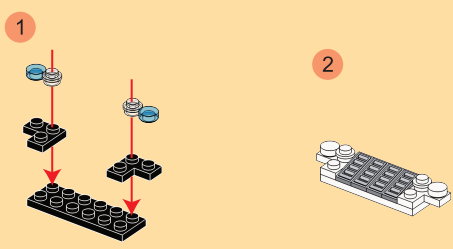
- 19** 2x6
 x1 x2 x2



- 20** 1x6 1x4
 x1 x1 x2

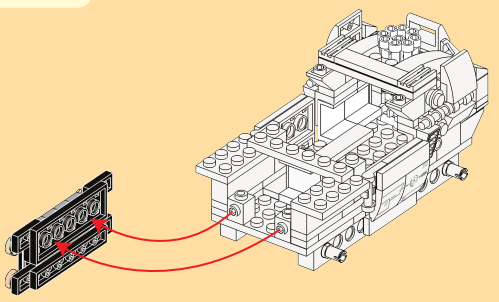
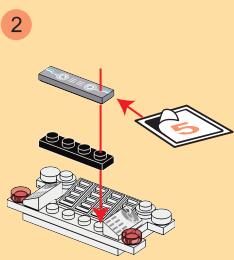
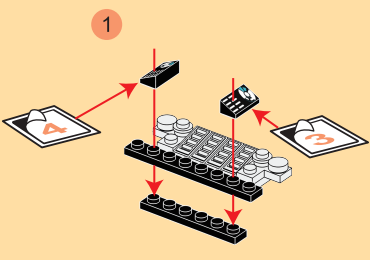


- 21** 2x6
 x1 x4 x2 x2 x2



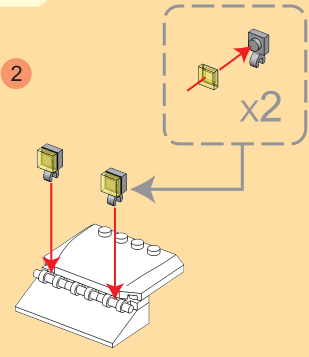
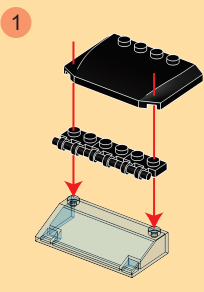
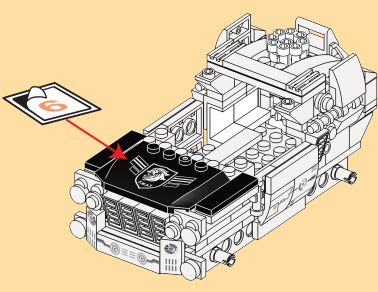
- 22** 1x8 1x6 1x4
 x1 x1 x1 x1 x2 x2

- 23**
 20 + 22



- 24** 1x4
 x1 x2

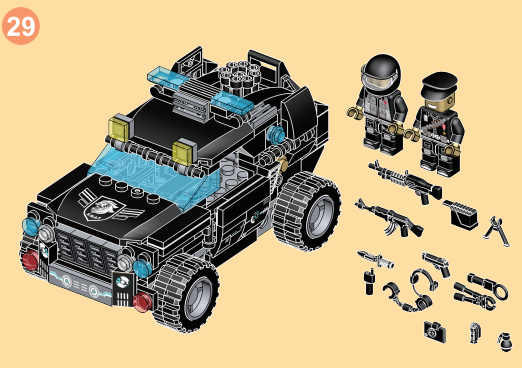
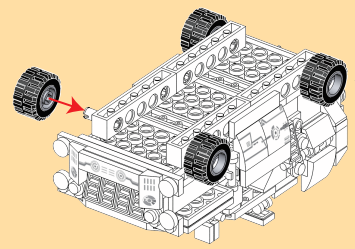
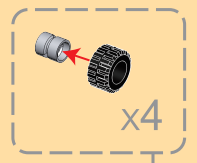
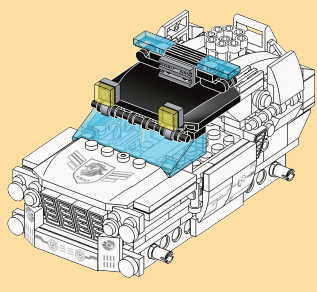
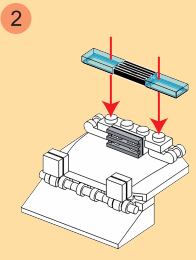
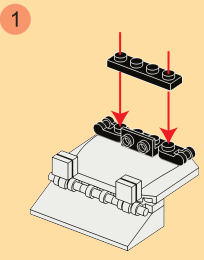
- 25**
 x1 x1 x3 x2 x2

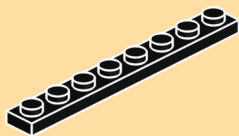


- 26**
 x1 x1 x1 x1 x2 x2

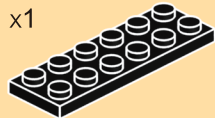
- 27**
 24 + 26

- 28**
 x4 x4

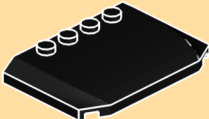




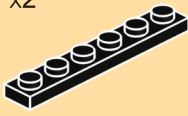
x1



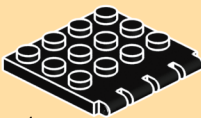
x2



x2



x2



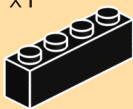
x1



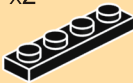
x3



x1



x2



x4



x11



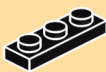
x4



x2



x2



x2



x4



x1



x4



x5



x2



x6



x1



x3



x8



x1



x1



x4



x2



x4



x5



x1



x5



x2



x2



x2



x3



x8



x2



x3



x3



x4



x3



x4



x1



x4



x4



x1



x1



x2



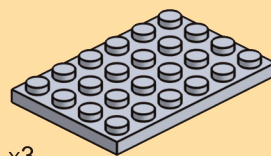
x2



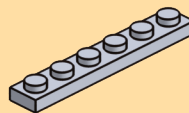
x2



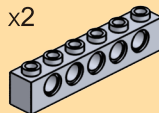
x2



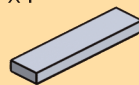
x3



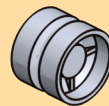
x2



x4



x1



x4



x5



x4



x2



x1



x1



x2



x4



x2

