

DRAGON BLOK

SPECIAL MISSIONS



FIGHTER PLANE
AVION DE CHASSE

203 pcs

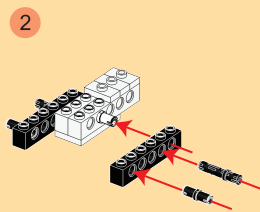
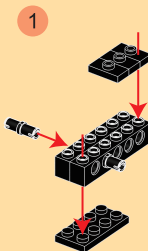
6+



Fighter Plane



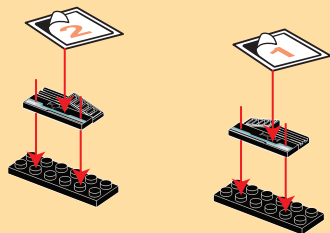
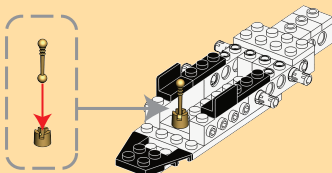
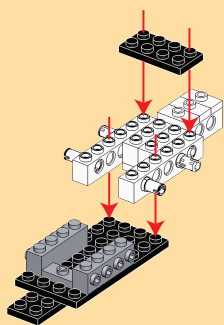
- 1
- 1 X 6 (x4)
 - 1 X 3 (x1)
 - (x2)
 - (x3)
 - (x4)



- 2
- 4 X 8 (x1)
 - (x2)
 - (x2)
 - (x1)

- 3
- (x1)
 - (x1)
 - (x2)
 - (x2)
 - (x1)

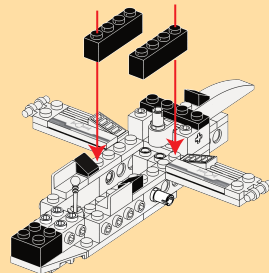
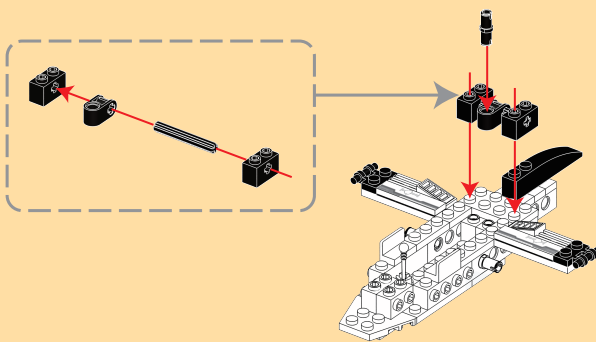
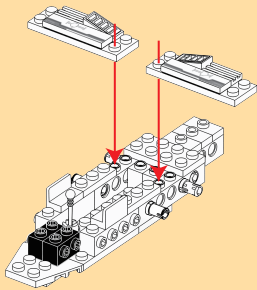
- 4
- 2 X 6 (x2)
 - 1 X 4 (x2)
 - (x2)
 - (x2)



- 5
- (x2)

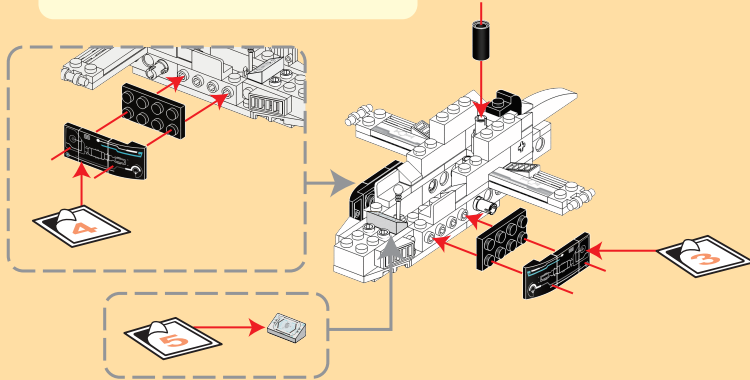
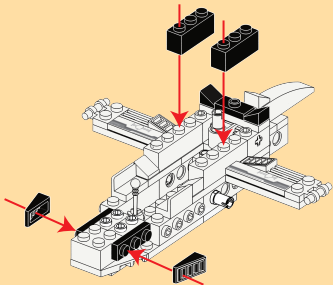
- 6
- (x1)
 - (x2)
 - (x1)
 - (x1)
 - (x2)
 - (x1)

- 7
- (x2)
 - (x1)
 - (x1)
 - (x3)



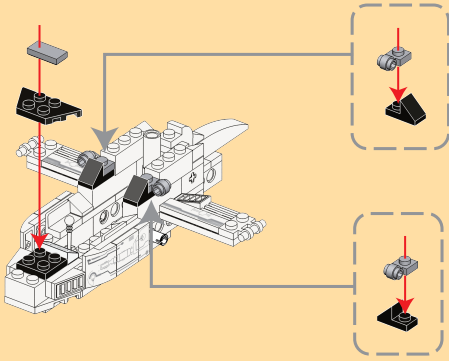
- 8
- (x2)
 - (x2)
 - (x2)
 - (x1)
 - (x2)

- 9
- (x2)
 - (x1)
 - (x2)
 - (x2)
 - (x1)
 - (x1)
 - (x2)



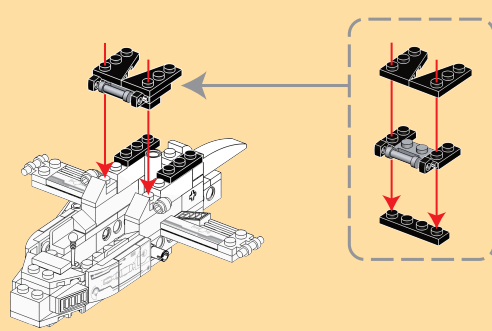
10

- x1
- x1
- x2
- x2
- x1



11

- x1
- x1
- x1
- x2
- x2
- x1

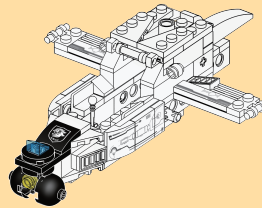


12

- x2
- x1
- x1
- x1
- x1
- x1
- x1
- x1
- x1

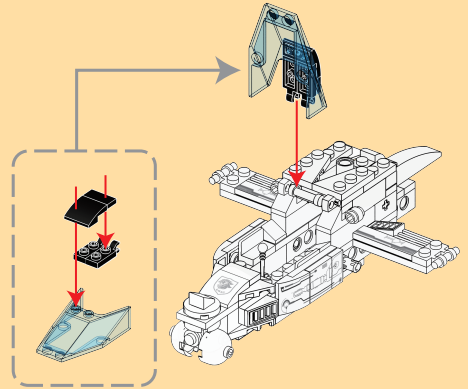
13

11 + 12



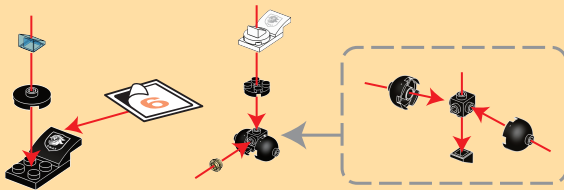
14

- x1
- x1
- x2
- x1



1

2



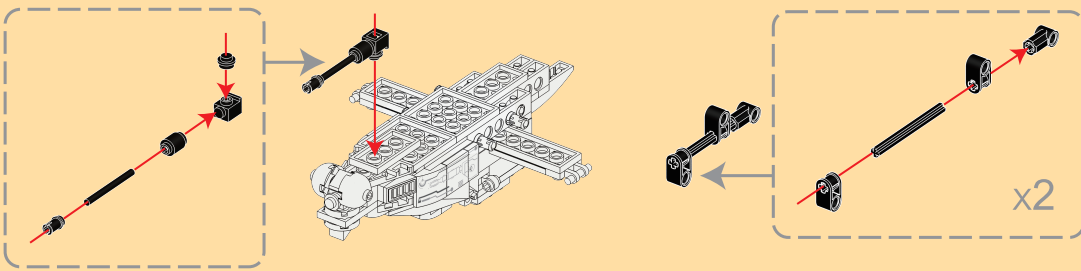
15

- 1x4
- x1
- x1
- x1
- x1
- x1



16

- 1x5
- x2
- x4
- x2

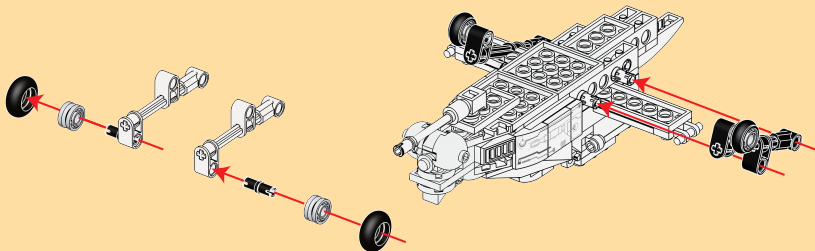


17

- x2
- x2
- x2

18

15 + 17

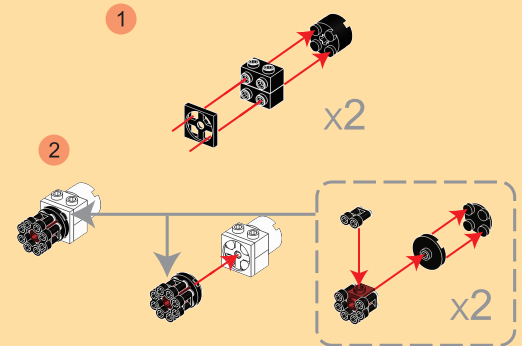


19

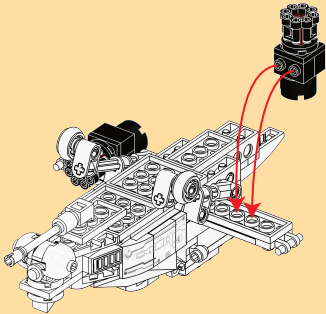
- x2
- x2
- x2
- x2
- x2
- x2
- x2
- x8

1

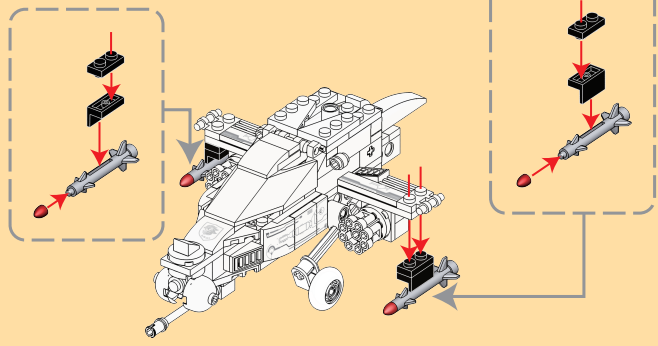
2



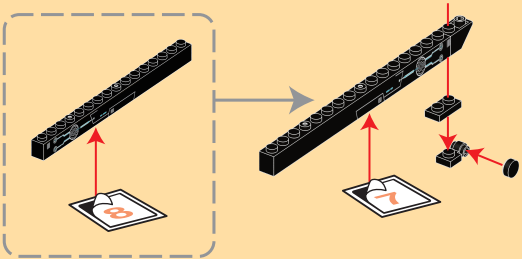
20
18 + 19



21
x2 x2 x2 x2

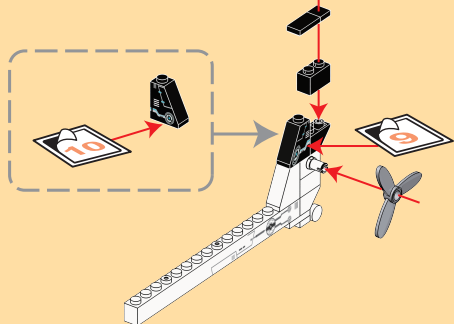
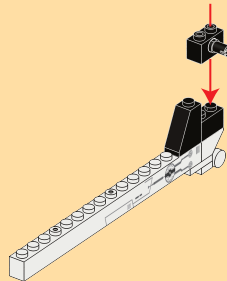


22
1 X 16
x1 x1 x1 x1 x1

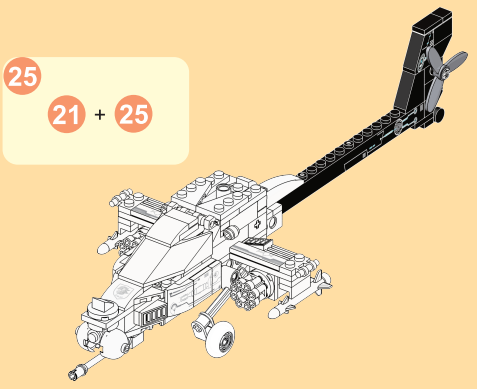


23
x1 x1 x1 x1

24
x1 x1 x1 x1 x1 x1

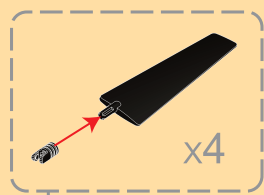
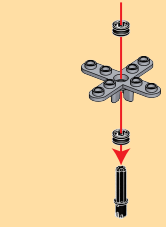


25
21 + 25

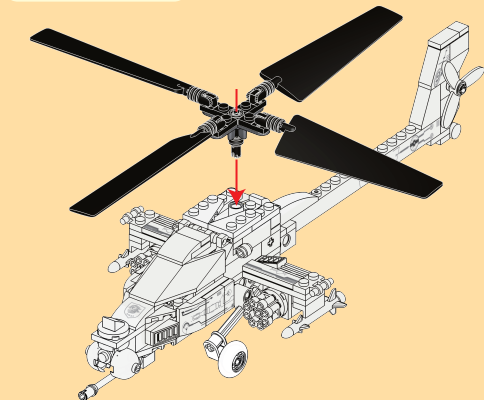


26
1 X 3
x1 x1 x2

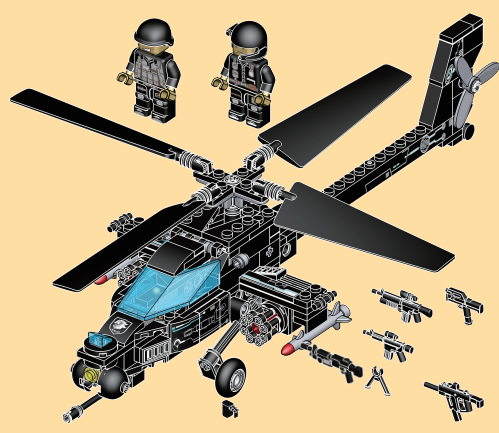
27
x4 x4 x4

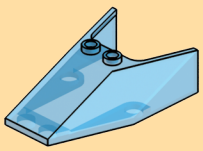


28
25 + 27



29





x1



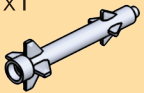
x1



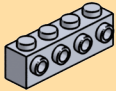
x1



x1



x2



x2



x1



x1



x1



x2



x1



x2



x1



x1



x1



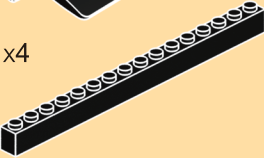
x2



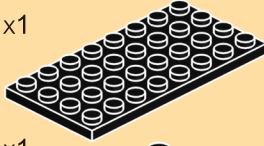
x2



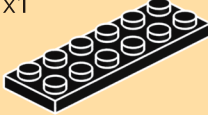
x4



x1



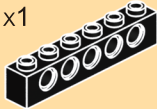
x1



x2



x1



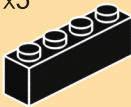
x4



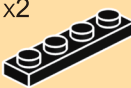
x1



x5



x2



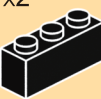
x2



x1



x2



x2



x2



x1



x1



x1



x1



x6



x1



x1



x1



x2



x2



x2



x4



x2



x2



x4



x4



x1



x2



x2



x4



x4



x1



x2



x1



x4



x1



x4



x2



x1



x2



x2



x1



x2



x1



x2



x2



x4



x3



x4



x2



x8



x2



x1



x5



x6



x1



x1



x2



x1



x1



x1