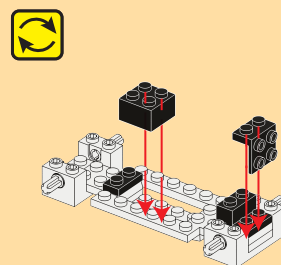
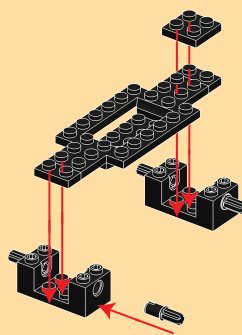




- 1
- x1
 - x2
 - x1
 - x2
 - x4

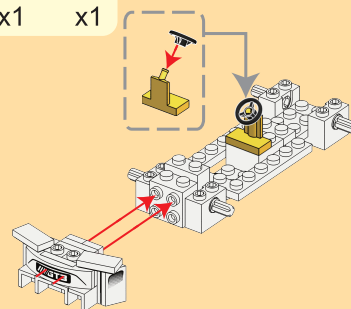
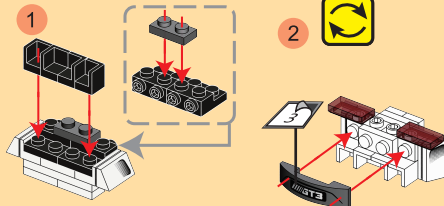
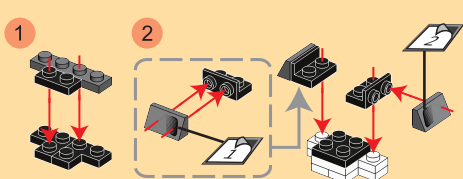
- 2
- x1
 - x1
 - x1
 - x2



- 3
- x1
 - x1
 - x2
 - x2
 - x2
 - x1

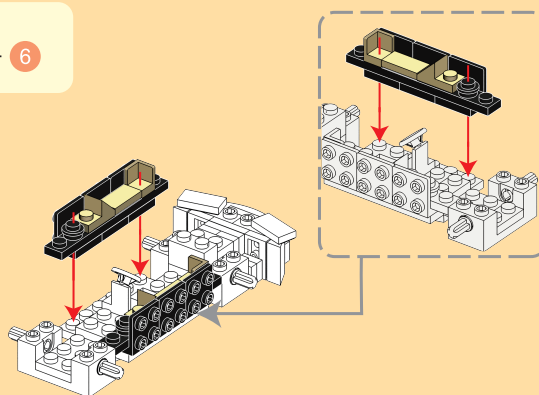
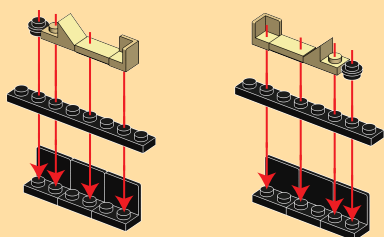
- 4
- x1
 - x2
 - x4
 - x2
 - x1

- 5
- x1
 - x1



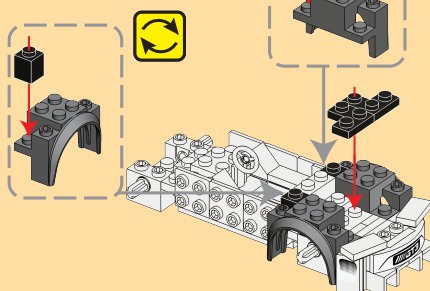
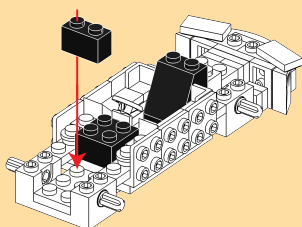
- 6
- 1x8
 - x2
 - x6
 - x2
 - x2
 - x2
 - x2

- 7
- 5 + 6



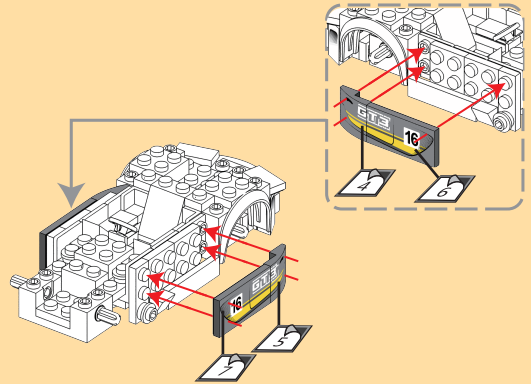
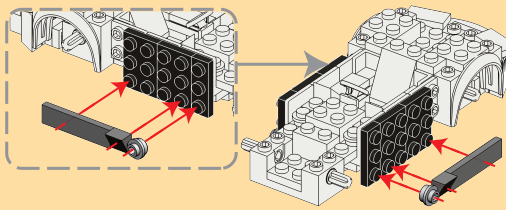
- 8
- x1
 - x1
 - x1

- 9
- x2
 - x2
 - x2



- 10 1x4
x2 x4 x2 x2 x2

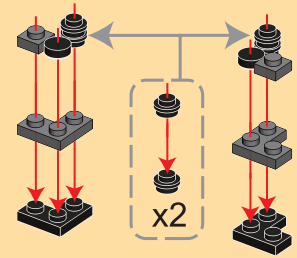
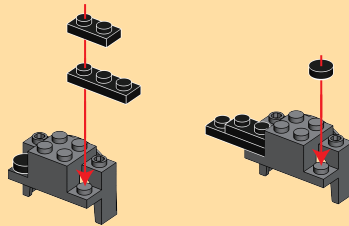
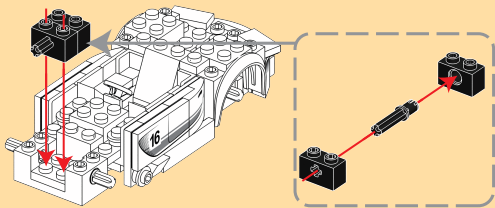
- 11 2x4
x2 x2



- 12 x1 x1 1x3
x1 x1 x1

- 13 x2 x2 x2 x2

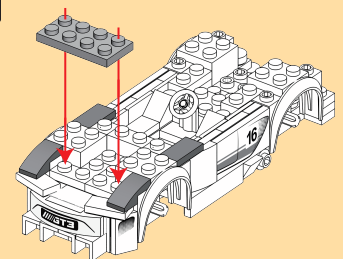
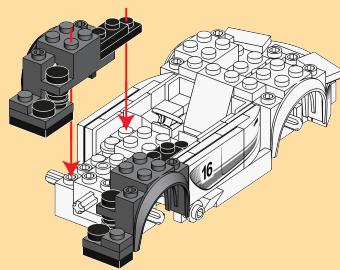
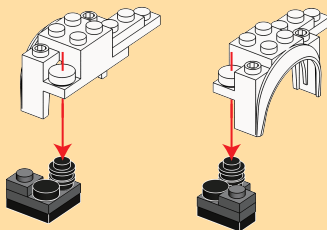
- 14 x2 x2 x2 x2 x4



- 15 13 + 14

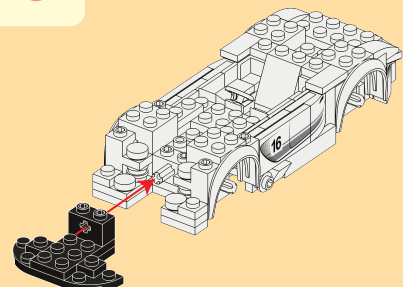
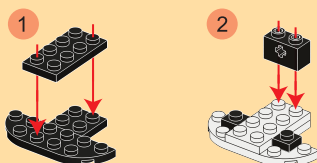
- 16 12 + 15


- 17 x1 x2 x2

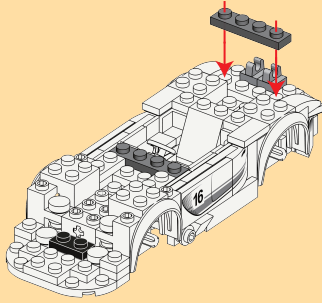



- 18 x1 x1 x1 x1 x2

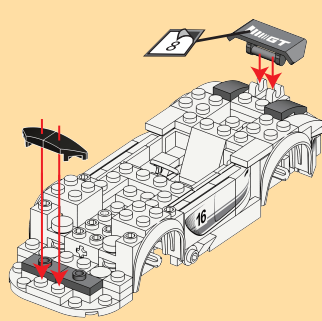
- 19 17 + 18




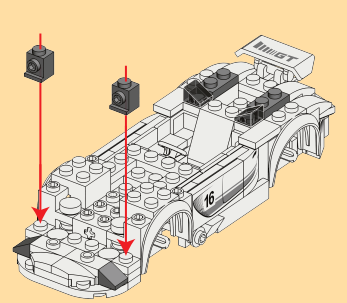
- 20

 x2 x1 x2




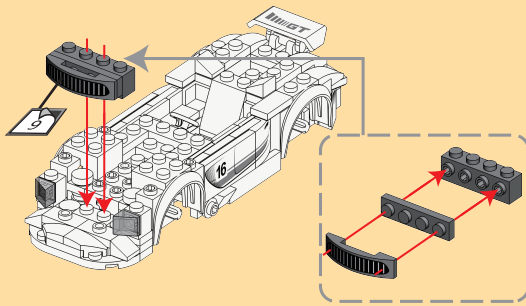
- 21

 x1 x2 x1 x1 x2

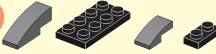


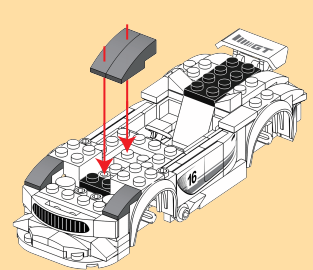
- 22

 x2 x2 x2 x2




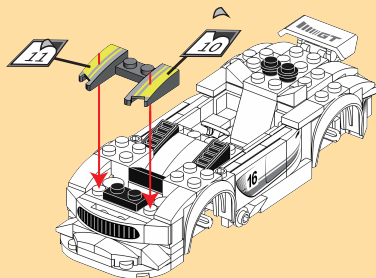
- 23

 x1 x1 x1 x2




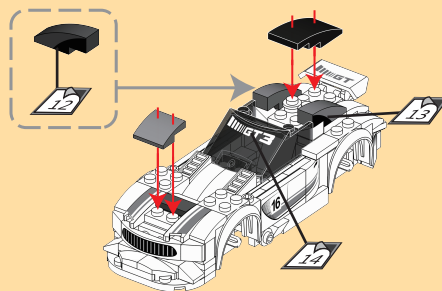
- 24

 x2 x1 x2 x1




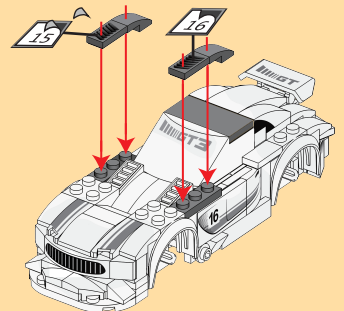
- 25

 x1 x2 x1 x1 x2



- 26

 x1 x1 x2 x1 x1

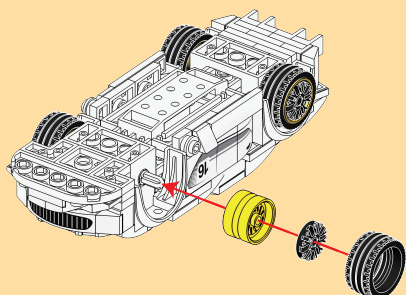


- 27

 x1 x2 x2 x2



- 28

 x4 x4 x4



29

