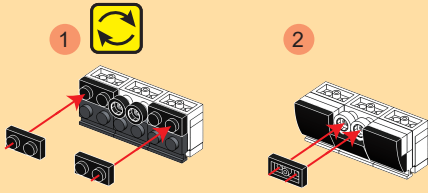


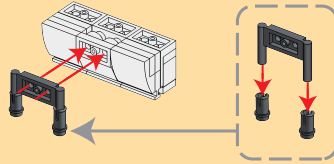
11

x2 x1 x3 x5 x2



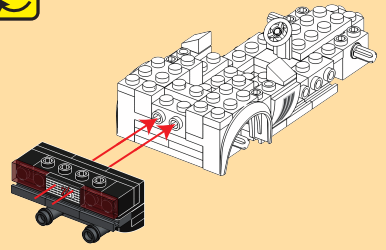
12

x1 x2



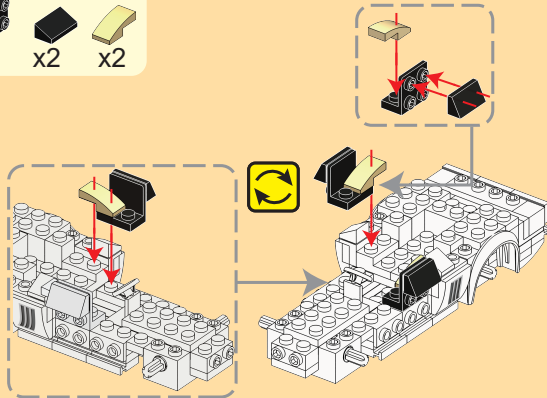
13

9 + 12



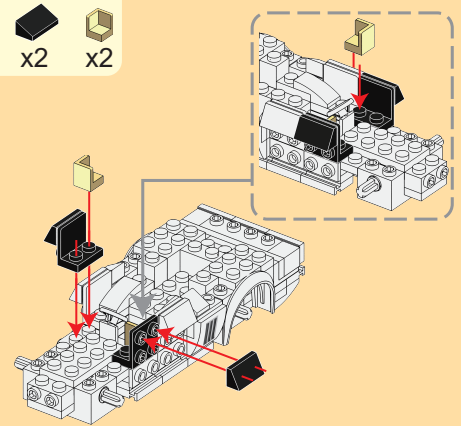
14

x2 x2 x2



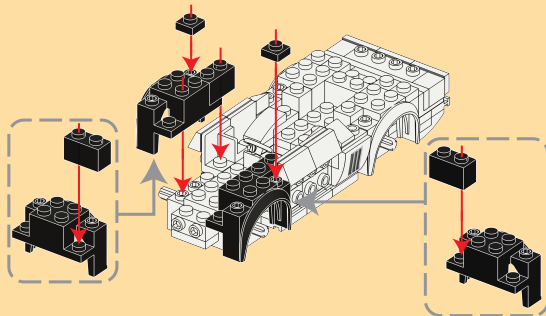
15

x2 x2 x2



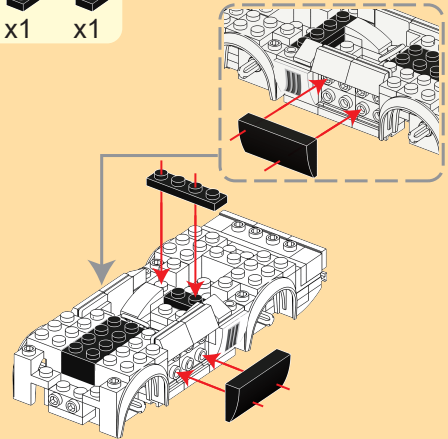
16

x2 x2 x2



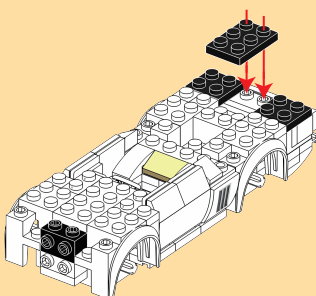
17

2x4 x1 x2 x1 x1



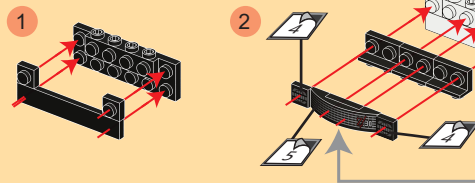
18

x1 x2 x1 x1

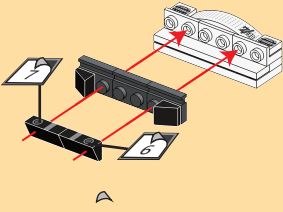


19

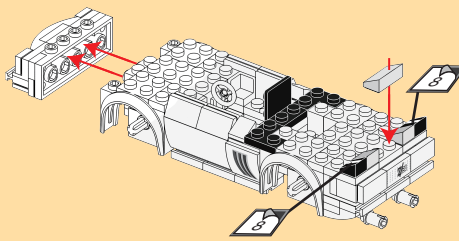
1x6 x1 x1 x1 x3 x1 x2 x2



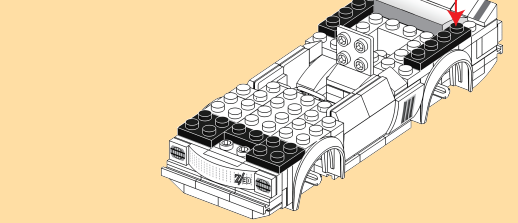
- 20
- x2
 - x3
 - x2



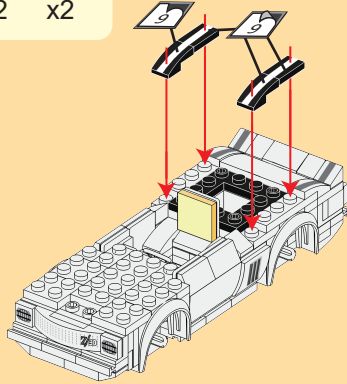
- 21
- x1
 - x1
 - x2
 - x2
 - x2



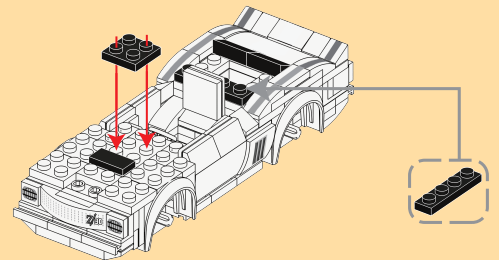
- 22
- 2x4
 - x1
 - x2
 - x2
 - x2
 - x1



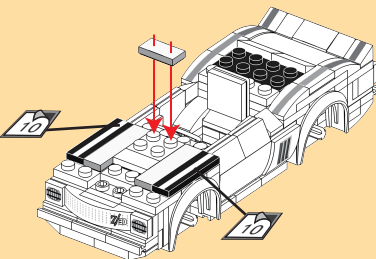
- 23
- x1
 - x1
 - x2
 - x2



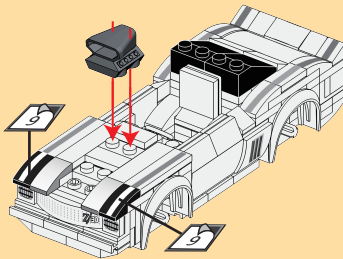
- 24
- x1
 - x2
 - x1
 - x1



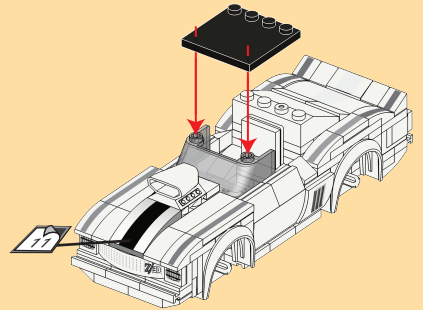
- 25
- x1
 - 1x4
 - x2
 - 1x4
 - x2
 - x1



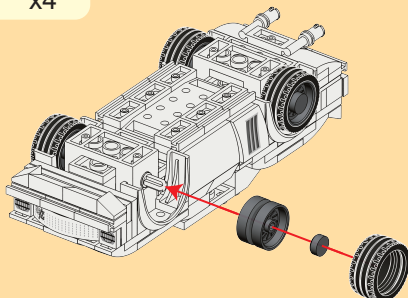
- 26
- x2
 - x1
 - x2
 - x2



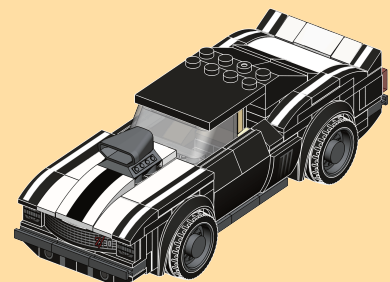
- 27
- x1
 - x1
 - x1

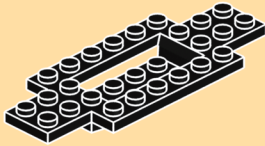


- 28
- x4
 - x4
 - x4

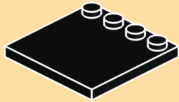


29

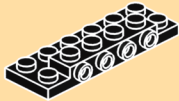




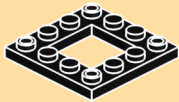
x1



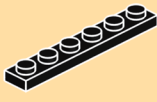
x1



x1



x1



x3



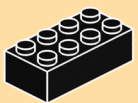
x1



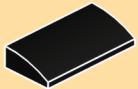
x4



x2



x1



x2



x4



x1



x2



x1



x2



x8



x2



x4



x3



x8



x4



x4



x8



x5



x2



x3



x4



x9



x6



x15



x4



x4



x6



x6



x6



x2



x1



x2



x1



x4



x1



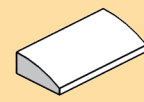
x12



x2



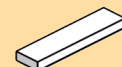
x4



x1



x1



x2



x2



x1



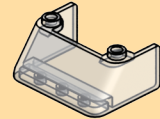
x1



x2



x1



x1



x1



x2



x1



x2



x2